



THE TECHNICAL APPLICATION
THAT MADE US FAMOUS ALL
OVER THE WORLD!

 **TECNOCRYO**
www.tecnocryo.it

Tecnocryo S.p.A. | Italy

Via Ugo Foscolo 8,
20060 Basiano (MI)
+39 02.95764120
www.tecnocryo.it
tecnocryo@tecnocryo.it

Tecnocryo Iberica | Spain & Portugal

Calle Adelfa, 13
28970 Humanes De Madrid
+34 611 012 306
www.tecnocryo.it
lg.benuzzi@tecnocryo.eu

Tecnocryo Europe | France

Techn'Hom 1 2, Rue Becquerel
F-90000 Belfort
+33 (0) 6 80 41 20 53
www.tecnocryo.it
c.selvi@tecnocryo.eu

HIGH PRESSURE RECIPROCATING AND CENTRIFUGAL PUMP SKIDS



07.2022

our expertise, your world

 **TECNOCRYO**

This type of solution can be used and customized for any service condition, for example explosive atmosphere areas (**Atex**) or environments characterized by particularly severe atmospheric temperatures.

CERTIFICATION AND TESTING

Each pump skid is designed and built according to the Machinery Directive and certified according to the PED directive.

Each machine is also supplied already degreased, compatible for use with oxygen and accompanied by a use and maintenance manual in the final client language.



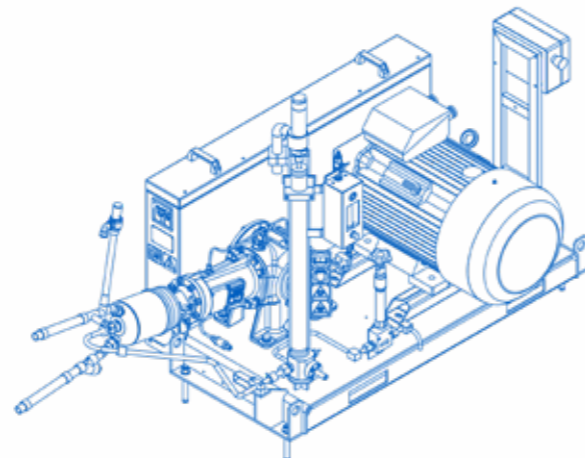
MAIN PRODUCTS

PUMP SKIDS

Pump Skids are applications available for pumping cryogenic liquids in different levels of pressure and flow according to the selected pump model: reciprocating or centrifugal. For this reason Tecnocryo has engineered a compact, versatile and easy-to-install packaging, consisting of a cryogenic pump equipped with suitably designed pipes and valves and powered, on request, by a logic control panel, all installed on a single base (skid).

Pump Skids represent a very versatile solution that can be used for various applications, among which the best known are:

- ▶ FILLING CYLINDERS FOR TECHNICAL, MEDICAL AND FOOD GASES (PISTON PUMPS)
- ▶ PUMPING FLUIDS FOR INDUSTRIAL PROCESSES (PISTON PUMPS)
- ▶ TRANSFERRING FLUIDS FROM TANK TRUCKS TO FIXED STORAGE TANKS (CENTRIFUGAL PUMP)



TECNOCRYO S.p.A., founded in 1992 by Marcello Riva and his son Cristian, is a forefront company specialised in the design, construction and installation of precision machinery, systems and equipment for the treatment of cryogenic fluids. Throughout the years the firm has been able to grow steadily, thus refining and expanding its own unique range of products fully satisfying the industrial chain of production and distribution of technical, pure, medical and food gases.